



CITY COLLEGE

Affiliated to the University of Calcutta
102/1, Raja Rammohan Sarani, Kolkata – 700009
Phone : 033 2350 1565, Office : 033 2360 7463
E-mail : principal.citycollege@gmail.com
Website : www.citycollegekolkata.org
GST No. : 19CALC00619D1DE

NOTICE

Date: 10.01.2022

INFORMATION FOR B.A.; B.SC; B.COM 3rd and 5th SEMESTERS and PART-I & PART-II (Under 1+1+1 System) (HONS & GENERAL COURSES) EXAMINATIONS, 2022 OF CALCUTTA UNIVERSITY, CITY COLLEGE CENTER.

IMPORTANT INSTRUCTIONS FOR ONLINE EXAMINATIONS, 2022

For downloading the question papers, the following web addresses(URL) may be used:

www.citycollegekolkata.org	www.cuug.in
www.cuug20.in	www.culibrary.ac.in

❖ Examination Time-Table:

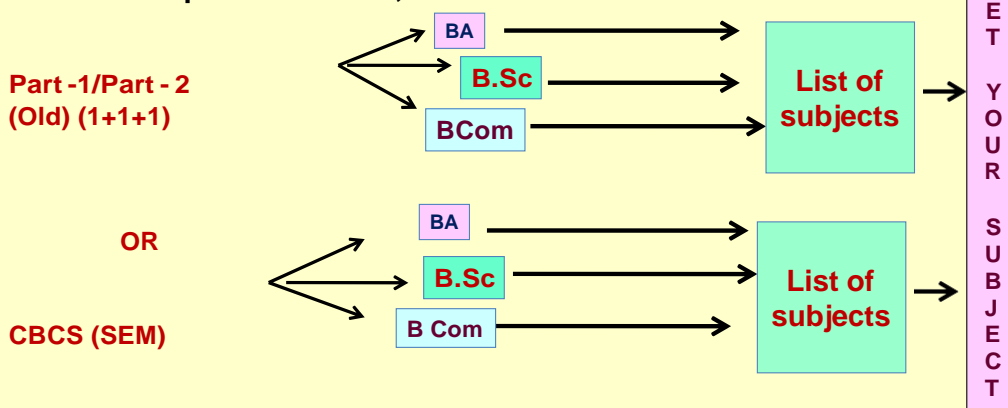
The **examination time-table** for each subject is given in the **College Website**. Note carefully the dates, times of each examination in the College website every day for updates.

❖ When and how you will receive your Question paper:

- The question papers will be available in our College website about 15 minutes before the scheduled examination in each day. In case you have not received the question paper 15 minutes before the starting time exam, immediately inform the Head or other teachers of the Department.
- For Instruction see the chart given below:

GET YOUR QUESTION- STEPS :

1. Go to CITY COLLEGE web site -www.citycollegেকolkata.org
2. Click on **CU EXAM** (right corner) = Date
3. Click on **Date** = a **TABLE -BOX** will be there
4. Click on **DOWNLOAD (RED)** in the QUESTION PAPER COLUMN Under exam time = **Google drive will open showing FOLDERS WITH TIME**
5. Click on particular drive, like



❖ Writing your answer:

- a) Use blank, white A4 size page and **black or blue pen only** for writing your answer.
- b) On the top of first page, write **Semester/ Old Part-II (1+1+1)**, university **registration number**, university **roll number**, Subject (A/G), Paper, Group/Unit, Th/Pr, Page No. etc. and **Date of the Examination** on top as the header.
- c) In other pages write university **registration number**, university **roll number**, **Page No** and **date** of examination on top as the header.
- d) **MAKE SURE** to **number your pages on top**, clearly and correctly.
- e) Use **blue or black pen only** for diagrams/figures (if applicable). **Do Not Use Pencils/ colour pen for Your Diagrams/Graphs etc.**
- f) Please mention the total number of pages that you have used on the first page as,

“TOTAL NUMBER OF PAGES USED = 12 (if you use 12 pages)

❖ Submitting your answer scripts:

1. Carefully scan each page serially so that all written information is **completely readable**.
2. Convert the scanned pages to a single PDF document (less than 25 MBs).
3. **Attach your scanned updated Admit Card** properly in the beginning of each Answer Script.
4. Name the document/pdf accurately, i.e. **Subject code, semester, paper code, roll number.pdf**
(Example: **MTMA_SEM4_CC9_183112-51-0019.pdf**, for Mathematics HONS student of 3rd Semester with roll number 3112-51-0019).
5. Attach the document and send to the specific **email address or link provided at college website department wise and paper wise in details**.
6. In the subject field of your email, write - "Subject code_SEM3_Paper code_Roll number"
Example of email subject: "**MTMA_SEM3_CC9_183112-51-0019**."
7. **Your mail must reach within 30 minutes after the completion time of each examination, i.e., if your exam is 2 hours long, starting at 12:00 Noon and ending at 2:00 p.m., then please send your answers by 2.30 p.m. through online mode and 3 p.m. through offline mode.**

8. Please send your answer script in **one single email**. Do **not send multiple files and emails**.

❖ **Tips for scanning your written answer scripts:**

1. You will need either a scanner or a "scanner app" or an "image-to-PDF converter app" downloaded onto a basic smart phone with a camera. Many of these are available for free download. Select an app that enables you to consolidate all scanned pages into one single, consolidated PDF file and enables renaming of the file.

Some examples are: Image to **PDF converter** or **Adobe Scan** or **clear scanner** - However these are only examples and you may use whatever app you prefer or find convenient to use on your device. Please explore and research your options well in advance.

❖ **Important Points to be Noted:**

- i. **Do Not MENTION YOUR NAME** anywhere on your answer scripts.
- ii. **Mail answer script only to id given in WEBSITE within stipulated time,**
- iii. **Take screen shot of THE TIME OF SUBMISSION of answer script,**
- iv. Follow all instructions given in the question paper for writing your answer.
- v. If problem arises during submission contact your HOD/other teachers of Department. Keeping backups like hot-spot/Wi-Fi options ready for sooth submission.
- vi. **Keep hard and Soft copies of answer scripts of all papers/units till results are out.**

If you have any further queries regarding your exams contact your HOD.

Siddhartha Dutta
Convenor
Examination
Sub-Committee
City College, Kolkata-9

Subrata Biswas
Pampa Guha
Joint Convenors
Examination
Sub-Committe
City College, Kolkata-9

Sital Prasad Chattopadhyay
Principal,
City College
Kolkata-9



SALIENT POINTS:

1. **Question papers** to be available in the examination portal of our college in the designated tab **about 15 minutes** before the scheduled start of the exam
2. Keep sufficient A4 size paper ready. **Write details like cu roll no (if available), CU registration no, subject, paper etc & date on not only the top page, but on all pages. Never write your name anywhere.**
3. Write on one side of the page and use **black/blue pen only**. Do **Not use pencils, even for graphs/diagrams.**
4. **Page numbers** should be clearly provided on all pages (1/12, 2/12, 3/12 etc)
5. Prepare a pdf file for attaching with your mail. For instructions on how to name the file, please see instruction above.
6. **Mail your** answer file **within 30 minutes** of the end-time of the exam.
7. In e-mail, there is a '**subject**' field. Please **see instruction** above on what to write on that field.

UNIVERSITY OF CALCUTTA
(Online Examination)

**B.A/B.SC/ B.COM SEMESTER III, V AND PART-I, II (1+1+1) HONS &
GENERAL FINAL EXAMINATIONS, 2021.**
(Under CBCS)

Calcutta University Roll Number													
						-				-			

Calcutta University Registration Number														
			-					-					-	

Semester III/ Semester V/ Part I / Part II	
B.A./ B.Sc./ B.Com.	
Subject	
Course (Hons./Gen)	
Paper	
Group/Unit/Module	
Date of the Exam.	

QUESTION ATTEMPTED													

TOTAL NUMBER OF PAGES ATTACHED INCLUDING FRONT PAGE	
--	--